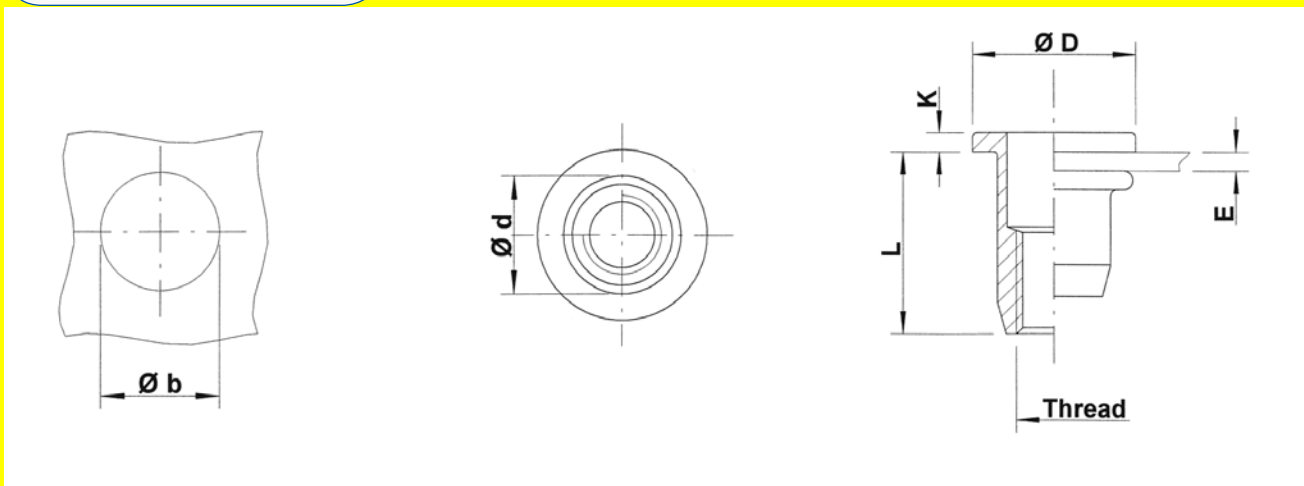




Stainless Steel 304

Round shank
 Flat head
 Open end
 UPO / SPO



THREAD	TYPE	E = grip	L	b ^{+0,1} = drill dia	d = shank dia	D	K	kg/1000	ORDER CODE	BOX Q
M4	UPO20	0,5-2,0	11,0	6,0	6,0	9,0	1,0	1,5	544 010	7500
	UPO35	2,0-3,5	12,5						544 020	5000
M5	UPO30	0,5-3,0	11,5	7,0	7,0	10,0	1,0	1,8	545 040	4000
	UPO50	3,0-5,0	15,0						545 050	3000
M6	UPO30	0,5-3,0	14,5	9,0	9,0	12,0	1,5	4,1	546 020	2000
	UPO50	3,0-5,0	16,5						546 035	2000
	UPO70	5,0-7,0	18,5						546 050	2000
M8	UPO30	0,5-3,0	16,0	11,0	11,0	15,0	1,5	6,1	548 010	1250
	UPO55	3,0-5,5	18,5						548 020	1250
	UPO80	5,5-8,0	21,5						548 035	1000
M10	UPO30	0,8-3,0	18,5	12,1	12,0	15,0	1,0	5,9	540 020	1000
	UPO50	3,0-5,0	20,5						540 030	1000
M10	SPO35	0,8-3,5	21,5	13,0	13,0	17,0	1,5	10,2	540 600	750
	SPO60	3,5-6,0	24,0						540 605	750

All dimensions in mm - Technical data subject to modification
 Tolerances and characteristics see chapter "Technical Data"



How to order or inquire: Please prefix the TUBTARA order code with 'R852-' example: R852-513550