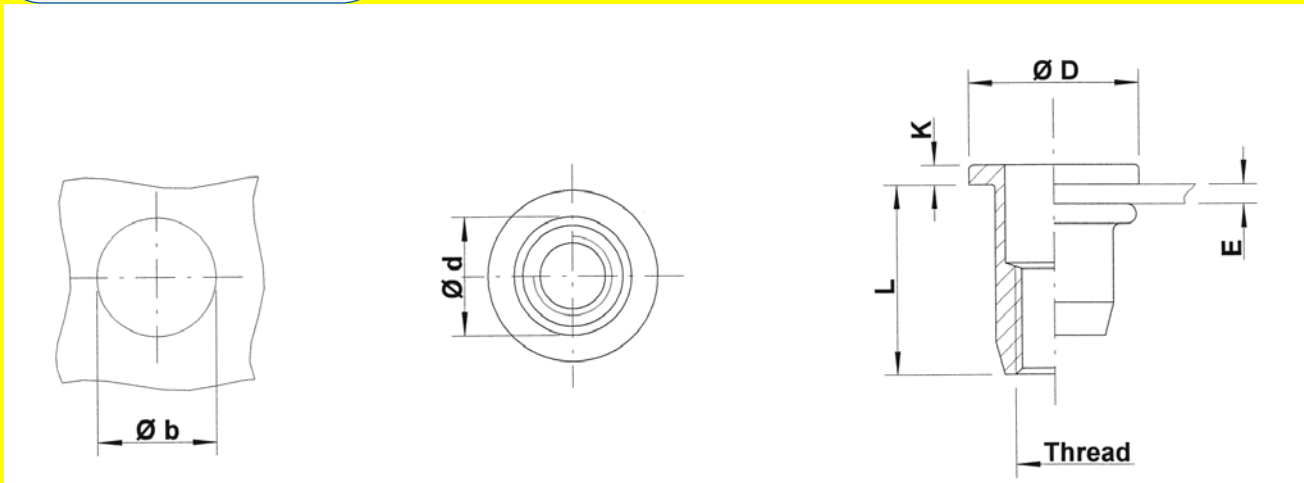




Aluminium

Round shank
 Flat head
 Open end
 UPO



THREAD	TYPE	E = grip	L	b ^{+0,1} = drill dia	d = shank dia	D	K	kg/1000	ORDER CODE	BOX Q
M3	UPO20	0,5-2,0	9,75	5,0	5,0	8,0	0,75	0,4	513 050	10000
	UPO30	2,0-3,0	10,75						513 100	10000
M4	UPO30	0,5-3,0	10,75	6,0	6,0	10,0	0,75	0,5	514 025	5000
	UPO45	3,0-4,5	12,25						514 050	5000
M5	UPO30	0,5-3,0	12,0	7,0	7,0	11,0	1,0	0,7	515 025	4000
	UPO55	3,0-5,5	15,0						515 050	3000
M6	UPO30	0,5-3,0	14,5	9,0	9,0	13,0	1,5	1,5	516 025	2000
	UPO55	3,0-5,5	16,5						516 075	2000
	UPO80	5,5-8,0	19,0						516 090*	1500
M8	UPO30	0,5-3,0	16,0	11,0	11,0	16,0	1,5	2,2	518 025	1250
	UPO55	3,0-5,5	18,5						518 050	1250
	UPO80	5,5-8,0	21,5						518 055*	1000
M10	UPO35	0,8-3,5	19,75	12,5	12,4	18,5	2,25	3,3	510 025	750
	UPO60	3,5-6,0	22,75						510 050*	700

* **Non-stock item:** minimum order quantity required after depletion of stock

All dimensions in mm - Technical data subject to modification
 Tolerances and characteristics see chapter 'Technical Information'



How to order or inquire: Please prefix the TUBTARA order code with 'R852-' example: R852-513550