

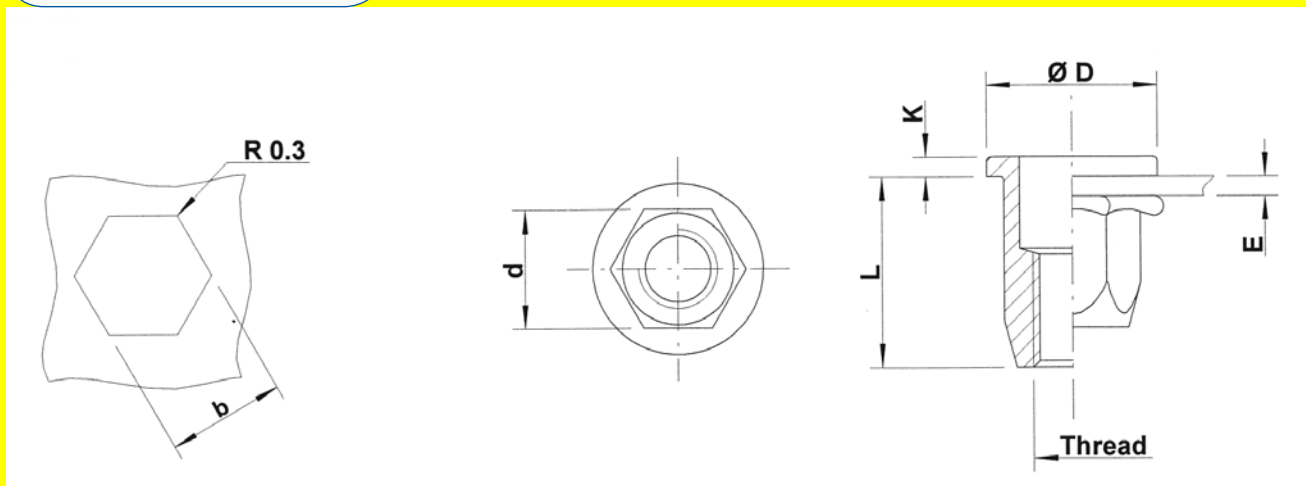


Steel

Full-hexagonal shank
 Flat head
 Open end

Zinktop 480h, Cr^{VI}- free

HUPO / HSPO



THREAD	TYPE	E = grip	L	b ^{+0,1} = hex hole	d = hex shank	D	K	kg/1000	ORDER CODE	BOX Q
M4	HUPO20	0,5-2,0	10,0	6,0	6,0	9,0	1,0	1,4	524 589	7000
M5	HUPO30	0,5-3,0	13,0	7,0	7,0	10,0	1,0	2,3	525 569	4000
M6	HUPO30	0,5-3,0	14,5	9,0	9,0	13,0	1,5	4,7	526 529	2000
	HUPO55	3,0-5,5	16,5					4,8	526 549	1750
M8	HUPO30	0,5-3,0	16,5	11,0	11,0	16,0	1,5	7,0	528 482	1200
	HUPO55	3,0-5,5	19,0					7,5	528 509	1000
	HUPO80	5,5-8,0	22,0					8,1	528 609	750
M10	HSPO35	0,8-3,5	21,0	13,0	13,0	19,0	2,0	11,6	520 649	700
	HSPO60	3,5-6,0	23,5					12,3	520 659	500

All dimensions in mm - Technical data subject to modification
 Tolerances and characteristics see chapter 'Technical Information'

Semi-hexagonal programme available on demand



How to order or inquire: Please prefix the TUBTARA order code with 'R852-' example: R852-513550