

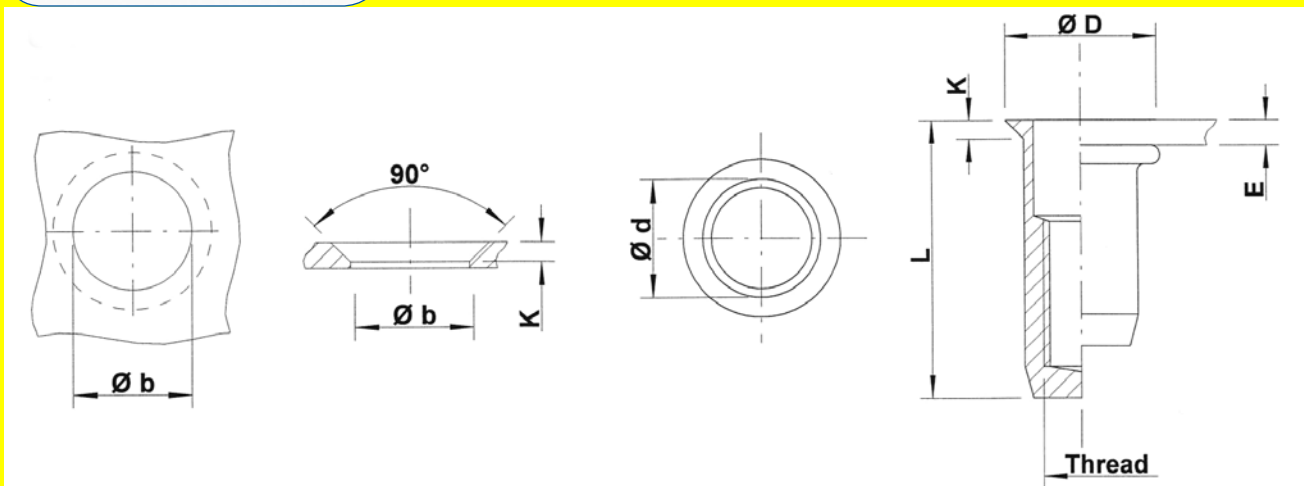


## Steel

Countersunk head  
 Round shank  
 Closed end

Zinktop 480h, Cr<sup>VI</sup> - free

UFX



THREAD	TYPE	E = grip	L	b <sup>+0,1</sup> = drill dia	d = shank dia	D	K	kg/1000	ORDER CODE	BOX Q
M4	UFX35	1,7-3,5	15,5	6,0	6,0	9,0	1,5	2,0	524 449	5000
	UFX50	3,5-5,0	17,0	6,0	6,0	9,0	1,5	2,2	524 469*	5000
M5	UFX40	1,7-4,0	18,0	7,0	7,0	10,0	1,5	3,0	525 389	3000
	UFX65	4,0-6,5	20,5	7,0	7,0	10,0	1,5	3,4	525 409*	3000
M6	UFX45	1,7-4,5	22,0	9,0	9,0	12,0	1,5	6,1	526 409	1500
	UFX65	4,5-6,5	24,0	9,0	9,0	12,0	1,5	6,5	526 429*	1500
M8	UFX45	1,7-4,5	25,0	11,0	11,0	14,0	1,5	9,2	528 369	1000
	UFX65	4,5-6,5	28,0	11,0	11,0	14,0	1,5	10,1	528 389*	750

\* **Non-stock item:** minimum order quantity required after depletion of stock

All dimensions in mm - Technical data subject to modification  
 Tolerances and characteristics see chapter 'Technical Information'



How to order or inquire: Please prefix the TUBTARA order code with 'R852-' example: R852-513550