



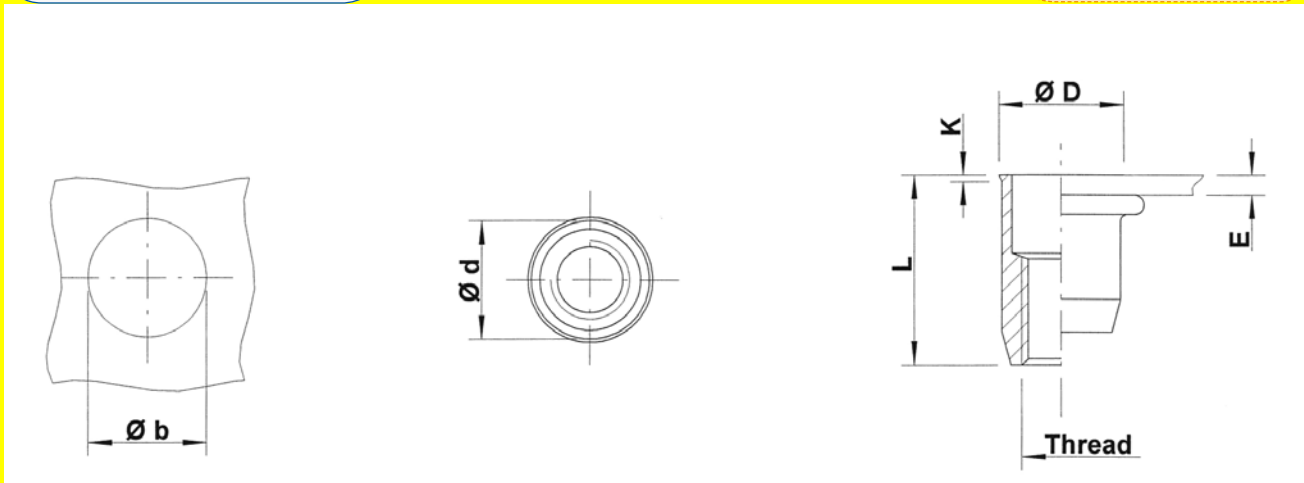
## Stainless Steel 316

(contains > 2% Molybden)

Round shank  
 Low profile head  
 Open end

UKO / SKO

extra high  
 corrosion resistance



THREAD	TYPE	E = grip	L	b+0,1 = drill dia	d = shank dia	D	K	kg/1000	ORDER CODE	BOX Q
M4	UKO20	0,5-2,0	11,0	6,0	6,0	6,5	0,5	1,2	554 220	3000
M5	UKO30	0,5-3,0	12,0	7,0	7,0	7,5	0,5	1,5	555 400	2000
M6	UKO30	0,5-3,0	14,5	9,0	9,0	9,5	0,5	3,4	556 400	1000
M8	UKO30	0,5-3,0	16,0	11,0	11,0	11,5	0,5	5,0	558 160	500
M10	SKO35	0,8-3,5	21,0	13,0	13,0	13,5	0,7	8,6	550 620	500

All dimensions in mm - Technical data subject to modification  
 Tolerances and characteristics see chapter 'Technical Information'



How to order or inquire: Please prefix the TUBTARA order code with 'R852-' example: R852-513550