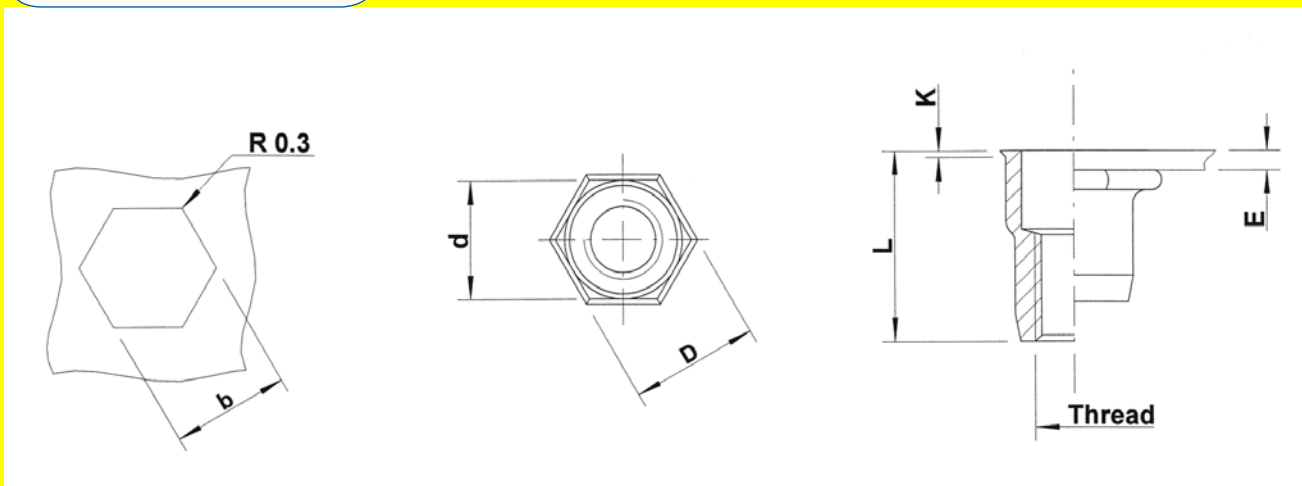




Stainless Steel 304

Semi-hexagonal shank
 Low profile head
 Open end

HUKO / HSKO



THREAD	TYPE	E = grip	L	b+0,1 = hex hole	d = hex shank	D = hex head	K	kg/1000	ORDER CODE	BOX Q
M4	HUKO20	0,5-2,0	11,0	6,0	6,0	6,5	0,5	1,2	544 600	7500
M5	HUKO30	0,5-3,0	12,0	7,0	7,0	7,5	0,5	1,5	545 600	5000
	HUKO50	3,0-5,0	14,0					1,7	545 605	5000
M6	HUKO30	0,5-3,0	14,5	9,0	9,0	9,7	0,5	3,3	546 500	3000
	HUKO50	3,0-5,0	16,5					3,6	546 525	2500
	HUKO70	5,0-7,0	18,5					3,9	546 580	2000
M8	HUKO30	0,5-3,0	16,0	11,0	11,0	11,8	0,5	4,9	548 300	2000
	HUKO55	3,0-5,5	18,5					5,3	548 305	1500
M10	HSKO35	0,8-3,5	21,0	13,0	13,0	13,8	0,7	8,4	540 640	1000
	HSKO60	3,5-6,0	23,5					-	540 645*	-

* **Non-stock item:** minimum order quantity required after depletion of stock

All dimensions in mm - Technical data subject to modification
 Tolerances and characteristics see chapter 'Technical Information'



How to order or inquire: Please prefix the TUBTARA order code with 'R852-' example: R852-513550