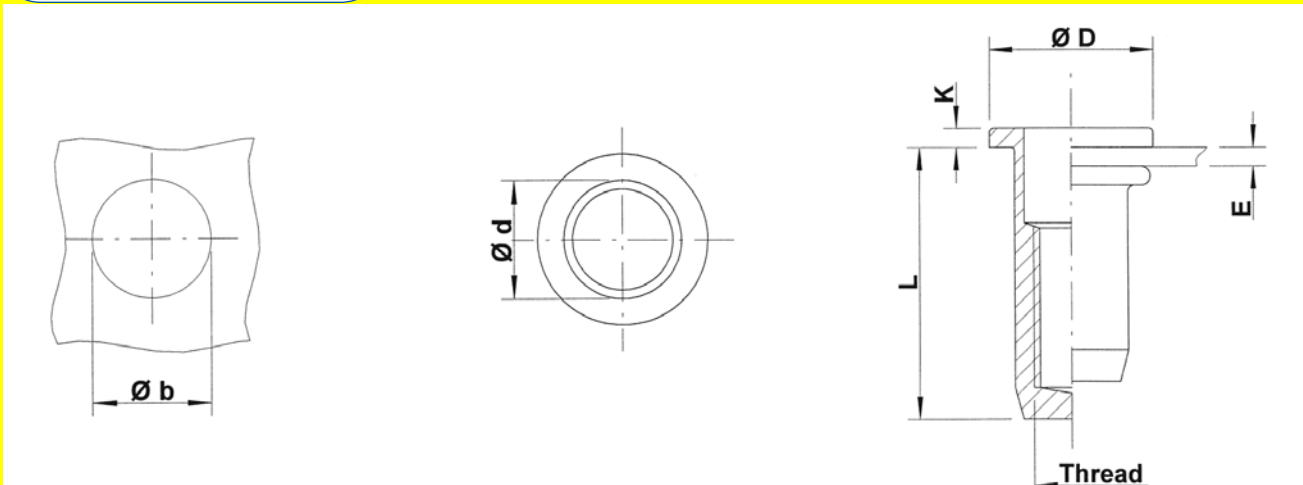




Stainless Steel 304

Round shank
 Flat head
 Closed end
 UPX / SPX



THREAD	TYPE	E = grip	L	b+0,1 = drill dia	d = shank dia	D	K	kg/1000	ORDER CODE	BOX Q
M4	UPX20	0,5-2,0	15,0	6,0	6,0	9,0	1,0	2,2	544 110	5000
M5	UPX30	0,5-3,0	17,5	7,0	7,0	10,0	1,0	3,0	545 180	2500
	UPX50	3,0-5,0	19,5					3,2	545 185	2500
M6	UPX30	0,5-3,0	21,5	9,0	9,0	12,0	1,5	6,6	546 100	1500
	UPX50	3,0-5,0	23,5					6,9	546 105	1500
M8	UPX30	0,5-3,0	23,5	11,0	11,0	15,0	1,5	9,9	548 065	1000
	UPX55	3,0-5,5	26,0					10,2	548 066	750
M10	SPX35	0,8-3,5	28,5	13,0	13,0	17,0	1,5	15,0	540 630	500

All dimensions in mm - Technical data subject to modification
 Tolerances and characteristics see chapter "Technical Data"



How to order or inquire: Please prefix the TUBTARA order code with 'R852-' example: R852-513550